

Distance from  
Outlet

22" (559 mm)

10" (254 mm)

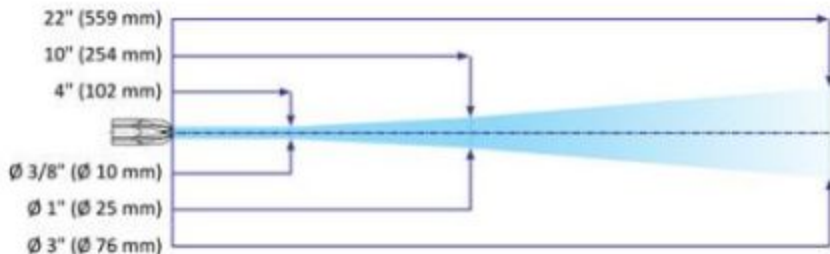
4" (102 mm)

Ø 3/8" (Ø 10 mm)

Ø 1" (Ø 25 mm)

Ø 3" (Ø 76 mm)

Diameter of  
Flow Pattern



**MODEL : 47004AMF**

**Air Mag™ Nozzle - 1/4" - Model 47004AMF**

Inlet Pressure PSIG (Bar)	20 (1.4)	40 (2.8)	60 (4.1)	80 (5.5)	100 (6.9)	120 (8.3)
Force LBS (Grams)	0.247 (112)	0.474 (215)	0.705 (320)	0.937 (425)	1.172 (532)	1.143 (519)
Air Consumption SCFM (SLPM)	5.5 (156)	9.0 (255)	12.0 (340)	15.5 (439)	19.7 (558)	23.4 (663)

3

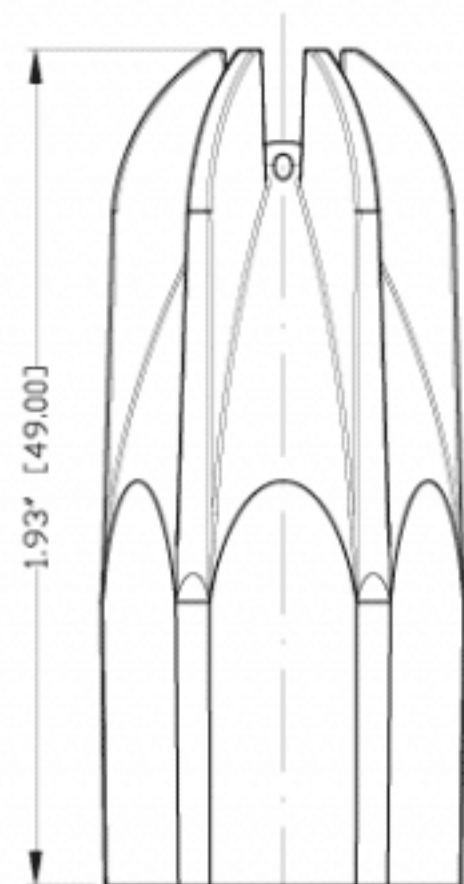
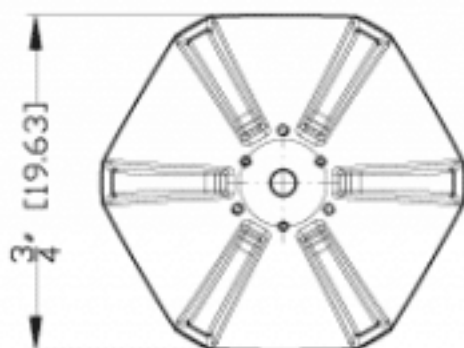
2

1

## NOTES:

1. ALL DIMENSIONS SHOWN ARE IN INCHES (mm)
2. ALL DIMENSIONS SHOWN ARE FINISH OPERATIONAL DIMENSIONS WHICH INCLUDE RESIDUAL COATINGS UNLESS OTHERWISE SPECIFIED.
3. PART TO BE FLAT PACKED PROPERLY TO AVOID ANY DAMAGE WHILE SHIPPING & HANDLING.
4. ALL HORIZONTAL DIMENSIONS ARE SYMMETRICAL ABOUT VERTICAL CENTER LINE UNLESS OTHERWISE SPECIFIED.

REVISIONS			
REV	DESCRIPTION	DATE	APPROVED
-	-	-	-



1/4" NPT (F) INLET



## MATERIAL

CAST ZINC

## FINISH

## REQUIREMENTS - UNLESS OTHERWISE SPECIFIED

1. DIMS ARE IN INCHES (MM)
  2. DIMENSIONS AND TOLERANCES IN ACCORDANCE WITH ASME Y14.5 (1994)
  3. MACHINE FINISH 125 MICRO INCH RMS
  4. INTERNAL RADIUS .015
  5. BREAK SHARP CORNERS .010 TO .015
- UNITS
1. LINEAR DIMS:  
INCH = .001  
MM = .025
  2. ANGLES = ± 1/2°
  3. RADIUS .015 TO
  4. HOLE IN ACCORDANCE WITH ASME Y14.5

## CONTRACT NUMBER

-

-

-

-

-

-

-

-

-

-

NEX FLOW AIR PRODUCTS CORP.  
10525 YONGE STREET, UNIT 328-330, RICHMOND HILL, ON L4C 3C7  
TEL: (416) 410-1313 & FAX: (416) 410-1808 [www.nex-flow.com](http://www.nex-flow.com)

W/O  
AIR MAG™ NOZZLE

REV	DATE ENG	PART NAME	ISSUED	REV
-	-	47004 AMF	-	-

SCALE 1:1    SHEET 1 OF 1

3

2

1