

HAUG Ionization - for the elimination of electrostatic charges



Statik-Air 08

Statik-Air 08 is used for contact-free cleaning with simultaneous extraction of visible dust and smaller particles.

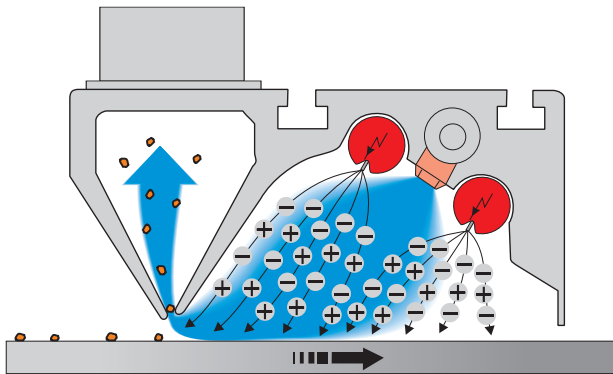
Function

Cleaning and elimination of electrostatic charges from material webs in the same process by using ionized compressed air (ill.2). The integrated extractor ensures an optimum and residue-free degree of surface cleaning.

The following ionizing bars can be combined with the Statik-Air 08 housing:

- Ionizing bar EI RN
- Ionizing bar EI RD
- Ionizing bar EI VS
- Ionizing bar EI Ex T

ill.2



Compressed air

Compressed air of a quality suitable for spraying applications must be available, i.e. it must be free of oil and water. The upstream installation of a service unit with integrated oil and water separator is recommended.

Web speeds

The maximum web speed of the standard version is approx. 80 m/min. Higher speeds are available on request.

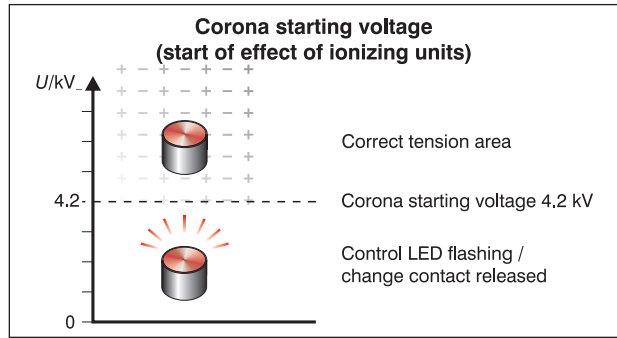
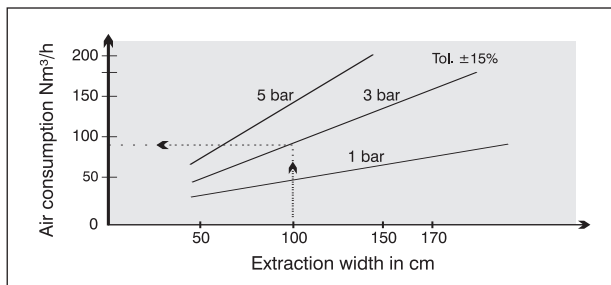
Air consumption diagram

Air consumption in N m³/h as a function of extraction width and operating pressure (ill.3)

Typical applications

Plastics, furniture, paper, print, film, foil, automotive, electrical and other industries.

ill.3



ill.1

Pulsed operation

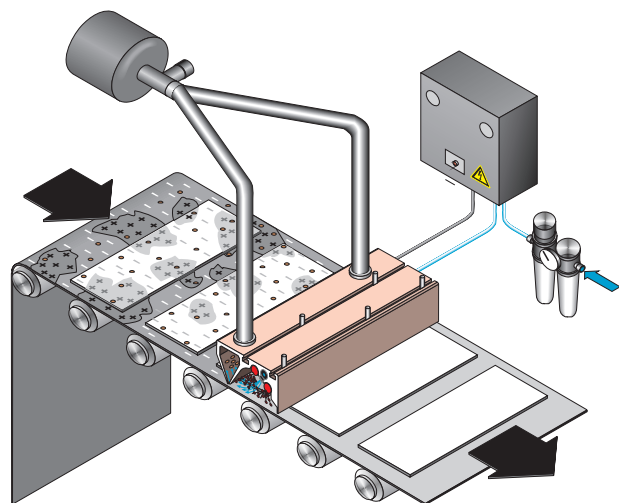
The application of Statik-Air systems in pulsed operation can be recommended for media transported with intermediate distances/gaps.

Advantage: reduced costs (e.g. for compressed air). Pulsed operation can be controlled by external input to the switchgear (power pack), e.g. using photoelectric sensors, proximity switches or other potential-free contacts.

Continuous operation

The application of Statik-Air systems in continuous operation can be recommended if the medium to be cleaned passes through continuously.

ill.4



HAUG GmbH & Co. KG

Germany

Friedrich-List-Str. 18
D-70771 Leinf.-Echterdingen
Phone: +49 711 / 94 98-0
Telefax: +49 711 / 94 98-298

www.haug.de
E-mail: info@haug.de

HAUG Biel AG

Switzerland

Johann-Renfer-Str. 60
CH-2500 Biel-Bienne 6
Phone: +41 32 / 344 96 96
Telefax: +41 32 / 344 96 97

www.haug-ionisation.com
E-mail: info@haug-biel.ch

